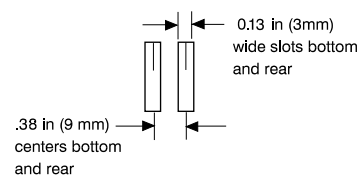
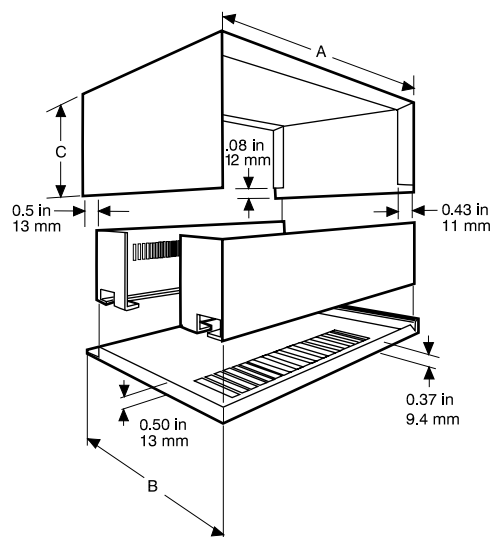


Instrument Case (1426 Series)



KEY FEATURES

- Top and bottom made in 20 gauge steel (for strength) finished in contempora grey or satin gulf blue powder paint.
- Easy to machine 0.064" (1.6 mm) thick aluminum panels front and rear.
- Rear panel and bottom of enclosure is vented.
- Front panel is satin black powder paint, rear panel matches case color.
- 6-32 Philips nickel plated screws and self-adhesive rubber feet included.
- Replacement screws **1421J6** (Pkg. of 6, 6-32 Philips head screws).



Part Number		Units	Dimensions		
Off White	Satin Blue		A	B	C
1426K	1426K-B	inch mm	6 152	5 127	4 102
1426M	1426M-B	inch mm	8 203	6 152	4 102
1426O	1426O-B	inch mm	10 254	7 178	4 102
1426Q	1426Q-B	inch mm	11 279	11.7 297	5.5 140
1426S	1426S-B	inch mm	12 305	6 152	4 102
1426Y	1426Y-B	inch mm	12 305	6 152	5.5 140
1426V	1426V-B	inch mm	12 305	8 203	4 102
1426W	1426W-B	inch mm	12 305	10 254	4 102

Metal



CANADA
Guelph, Ontario (519) 822-2960
St. Laurent, Quebec (514) 343-9010
USA
Cheektowaga, NY (716) 651-0086



EUROPE
Basingstoke, UK +44 1256 812812

AUSTRALASIA
Queenstown, SA, Australia +61 8 8240 2244